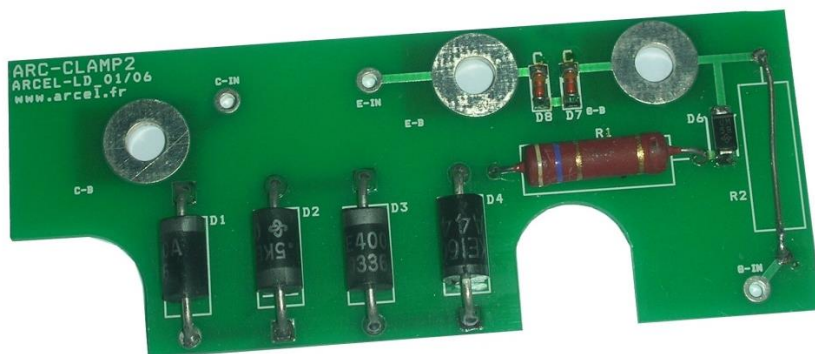


ARCCLAMP 2



IGBT V_{CE} clamping board



ARCCLAMP1 board has been especially designed for V_{ce} clamping of IGBT in IHM140*190 package. It comes in complement with any gate driving board.

V_{CE} clamping provides a strong protection of IGBTs when an abnormal over-voltage appears between Collector and Emitter terminals by re-injecting a gate current into the IGBT until the over-voltage has disappeared.

All information included in this document is Arcel's or its respective authors' property. Therefore, any reproduction, use, adaptation, modification, integration, translation, commercial use, in whole or in part, by any means or any form (electronic, written or verbal) is forbidden, without prior written permission of Arcel or its respective authors.



CONTENTS

1. Description diagram 3

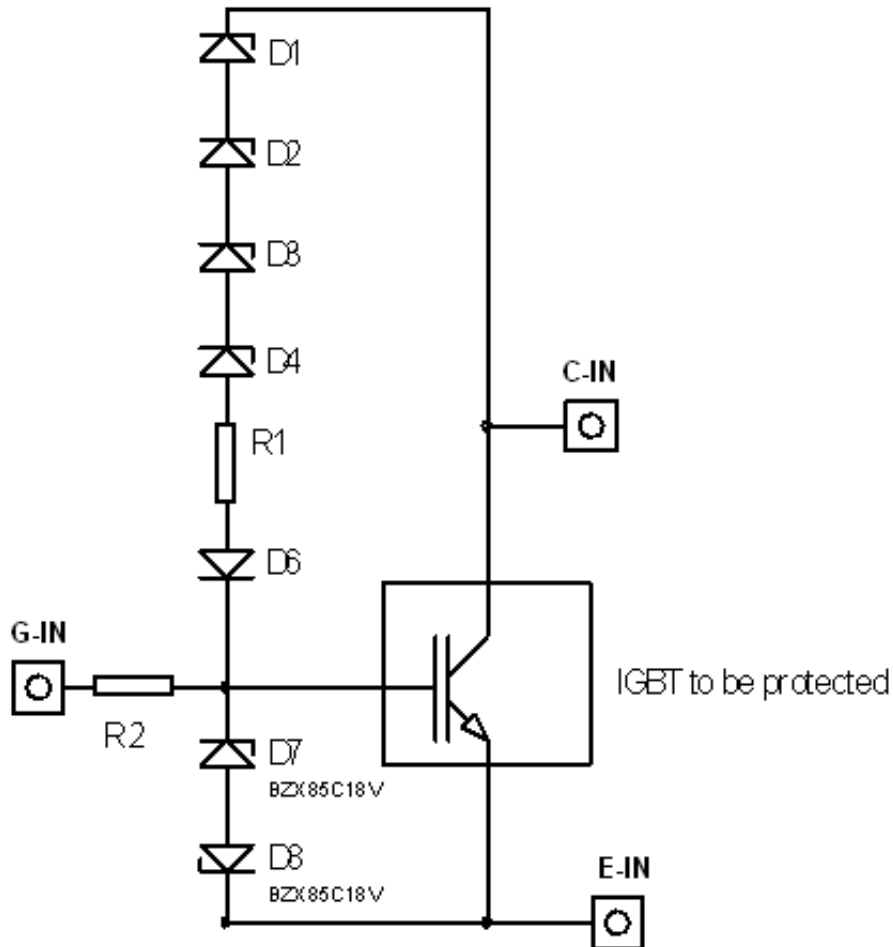
2. MECHANICAL OUTLINES..... 4

All information included in this document is Arcel's or its respective authors' property. Therefore, any reproduction, use, adaptation, modification, integration, translation, commercial use, in whole or in part, by any means or any form (electronic, written or verbal) is forbidden, without prior written permission of Arcel or its respective authors.



1. DESCRIPTION DIAGRAM

The over-voltage threshold is set by Transil diodes as shown in the following picture.



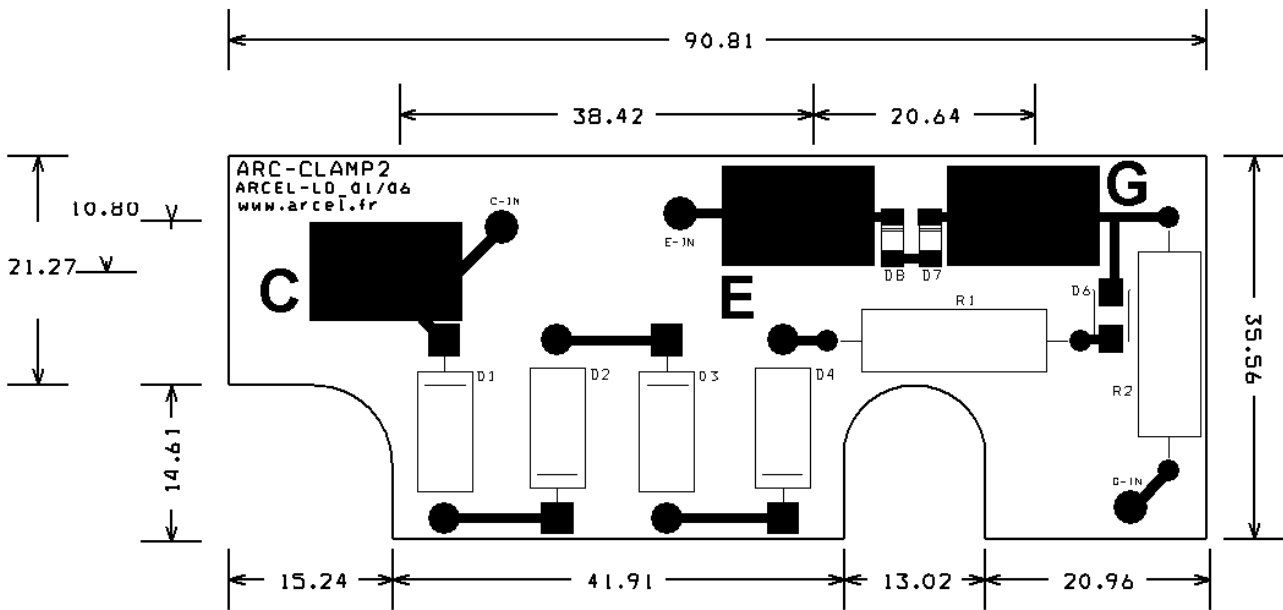
An extra Gate-Emitter capacitor can be added depending on the IGBT requirements.

It should be noted that the V_{ce} clamping must be considered as an exceptional protection. It should not enter into operation at each switching event because of high losses generated in the IGBT and the clamping circuit.

All information included in this document is Arcel's or its respective authors' property. Therefore, any reproduction, use, adaptation, modification, integration, translation, commercial use, in whole or in part, by any means or any form (electronic, written or verbal) is forbidden, without prior written permission of Arcel or its respective authors.



2. MECHANICAL OUTLINES



 Before printing think about **environment and costs!** N'imprimez ce document que si nécessaire.

CAUTION: ARCEL se réserve le droit d'apporter des modifications à sa documentation technique sans avertissement au préalable. Ces documents n'ont aucun caractère contractuel

All information included in this document is Arcel's or its respective authors' property. Therefore, any reproduction, use, adaptation, modification, integration, translation, commercial use, in whole or in part, by any means or any form (electronic, written or verbal) is forbidden, without prior written permission of Arcel or its respective authors.

