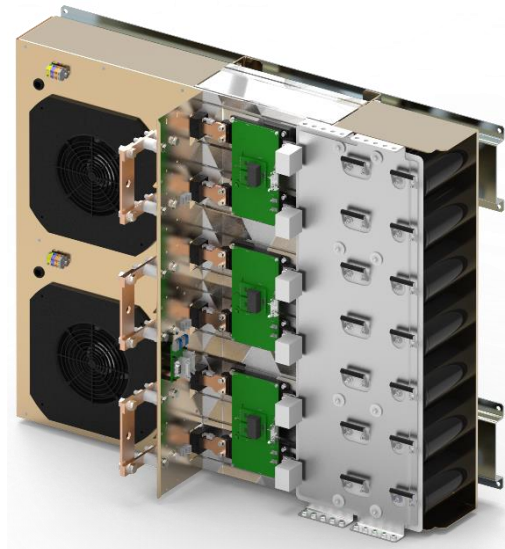
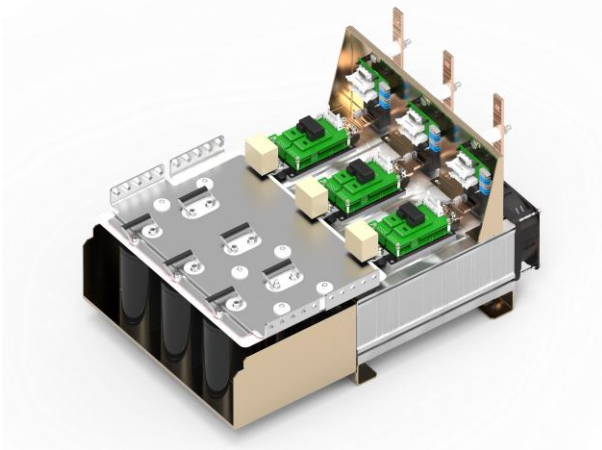


INVERTER EASY



1. DESCRIPTION

Range of Three-phase inverter **EASY**. Their main advantages are:

- **EASY** integration in an 1000mm enclosure for the biggest
- Standard Mechanical shape for the different power.
- **EASY** maintenance
- Dirty environment work without risk for the heat sinks,
- Fiber Optical Interface in option
- Rectifier Bridge adapted to the DC Bus Bar in option

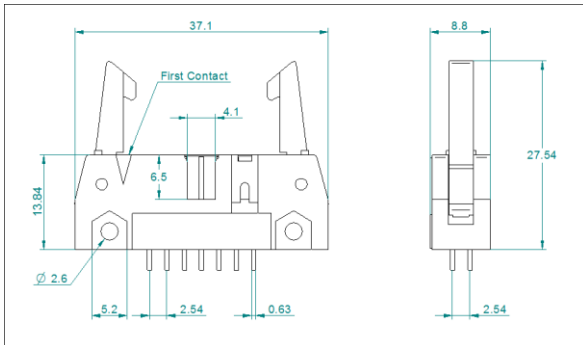
2. ELECTRICAL CHARACTERISTICS

Symbol	Conditions	Min.	Typ.	Max.	Unit.
I _{rms}	R _t =40°C / PWM=3kHz / 600Vdc / 400Vac	310		765	A
V _{CE}				1200	V
V _{DC}			600	700	V
V _{DC-peak}				770	V
V _{AC}	Network voltage			460	V
T _j	T _j for continuous operating			125	°C

All information in this document is the property of ARCEL or of their respective authors. As such, any reproduction, representation, use, adaptation, modification, incorporation, translation, marketing, whether partial or complete, by any means and whatever support it may be (paper, digital...) is prohibited without the prior written of ARCEL or their respective authors.



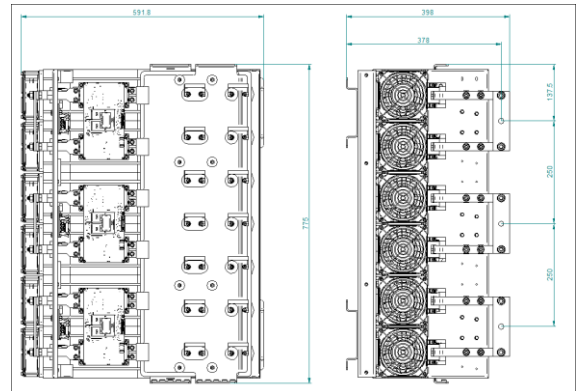
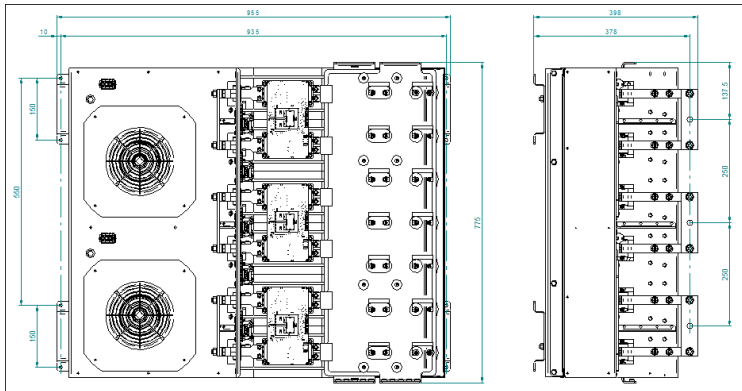
3. STANDARD CONNECTOR FOR EASY INVERTER:



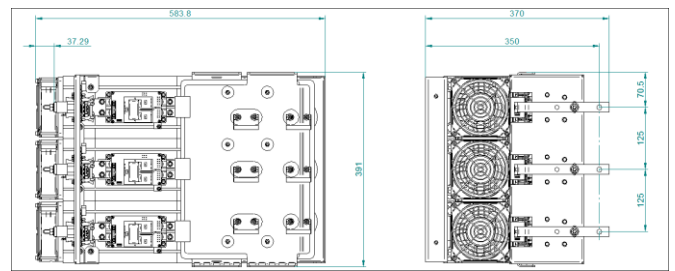
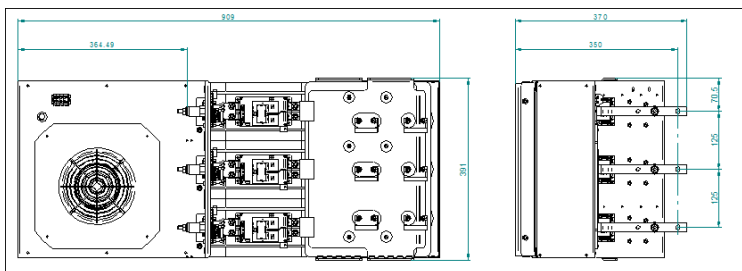
Pin	Signal	Function
1	-15Vdc	-15Vdc Power Supply
2	In-A	PWM Signal – Channel U / V or W
3	Err	Fault Signal driver – Channel U / V or W
4	In-B	PWM Signal – Channel U / V or W
5	Over-Temp	Temp Fault Signal – Channel U / V or W
8-9	+15Vdc	+15Vdc Power Supply
10-11	GND	Ground Power Supply
12	Temp-out	Temperature Measurement Signal
13	GND	Ground Current Measurement
14	-I	Current Output -I

4. MECHANICAL INFORMATION :

4.1. EASY and EASY Compact Inverters



4.2. SMALL EASY and SMALL EASY Compact Inverters



Note: Stack design may change depending the option. Please contact ARCEL for further information

Caution : ARCEL reserves the right to modify this technical documentation without prior notice. These documents are for information only and have no contractual value.

All information in this document is the property of ARCEL or of their respective authors. As such, any reproduction, representation, use, adaptation, modification, incorporation, translation, marketing, whether partial or complete, by any means and whatever support it may be (paper, digital...) is prohibited without the prior written of ARCEL or their respective authors.

